

300 Series

CRN



Back Connection



Optional Hinged Case
Back Connection

Description

The Winters 300 Series pressure gauge was originally designed and manufactured to conform to NATO's stringent specifications. The same high level quality has been maintained through the years as this gauge has become a durable all purpose premium gauge.

Available with brass or stainless steel internals, Winters 300 Series gauges are manufactured to ensure sturdy and reliable performance. These rugged gauges continue to be supplied to both the Canadian (CRN registered) and United States Naval Defense departments.

Winters 300 Series gauge is best suited for steam air, oil, fresh and salt water, freon and other pressure media. (A syphon is recommended for steam applications.)

The new optional Hinged Case (available on the 4.5" & 6" back connection) makes calibration much more efficient.



Corporate Office: 121 Railside Road • Toronto • ON • M3A 1B2 • (416) 444-2345 • Fax: (416) 444-8979

U.S.A. Office: 600 Ensminger Road • Buffalo • NY • 14150 • (716) 874-8700 • Fax: (716) 874-8800

www.winters.com • 1-800-WINTERS (946-8377)

300 Series

Specifications - Brass Internals

Dial:	4 ¹ / ₂ " (115mm), 6" (150mm) 8 ¹ / ₂ " (200mm) and 10" (250mm) white aluminum
Case:	Aluminum painted black
Lens:	4 ¹ / ₂ " (115mm) and 6" (150mm) - glass 8 ¹ / ₂ " (200mm) and 10" (250mm) - polycarbonate
Ring:	4 ¹ / ₂ " (115mm) and 6" (150mm) - stainless steel, polished 8 ¹ / ₂ " (200mm) and 10" (250 mm) - anodized aluminum
Front Flange:	4 ¹ / ₂ " (115mm) and 6" (150mm) - stainless steel, polished 8 ¹ / ₂ " (200mm) and 10" (250mm) - aluminum painted black
Back Flange:	Steel, painted black (8.5" & 10" flange integral part of case)
Pointer:	Aluminum, anodized black, micrometer adjustable
Socket:	Brass
Connection:	1/4" NPT or 1/2" NPT standard
Bourdon Tube:	Phosphor bronze for ranges up to 600 psi (4, 137 kPa) 316L stainless steel for ranges over 600 psi (4, 137 kPa)
Movement:	Brass
Welding:	Tin/copper alloy for ranges up to 600 psi (4,137 kPa) Silver alloy for ranges over 600 psi (4,137 kPa)
Over-pressure Limit:	30% for pressures up to 600 psi (4,137 kPa) 25% for pressures over 600 - 1,400 psi (4,137 - 9,653 kPa) 15% for pressures over 1,400 psi (9,653 kPa)
Working Pressure:	Maximum 75% of full scale value
Ambient/Process Temp:	-40°F to 150°F (-40°C to 65°C)
Accuracy:	+/-0.5% accuracy (ANSI/ASME Grade 2A)
Protection:	IP54

Specifications - Stainless Steel Internals

Dial:	4 ¹ / ₂ " (115mm), 6" (150mm) 8 ¹ / ₂ " (200mm) and 10" (250mm) white aluminum
Case:	Aluminum painted black
Lens:	4 ¹ / ₂ " (115mm) and 6" (150mm) - glass 8 ¹ / ₂ " (200mm) and 10" (250mm) - polycarbonate
Ring:	4 ¹ / ₂ " (115mm) and 6" (150mm) - stainless steel, polished 8 ¹ / ₂ " (200mm) and 10" (250 mm) - anodized aluminum
Front Flange:	4 ¹ / ₂ " (115mm) and 6" (150mm) - stainless steel, polished 8 ¹ / ₂ " (200mm) and 10" (250mm) - aluminum painted black
Back Flange:	Steel, painted black (8.5" & 10" flange integral part of case)
Pointer:	Aluminum, anodized black, micrometer adjustable
Socket:	316L Stainless steel
Connection:	1/4" NPT or 1/2" NPT standard
Bourdon Tube:	316L stainless steel
Movement:	304 stainless steel
Welding:	316L stainless steel TIG Argonarc
Over-pressure Limit:	30% for pressures up to 600 psi (4,137 kPa) 25% for pressures over 600 - 1,400 psi (4,137 - 9,653 kPa) 15% for pressures over 1,400 psi (9,653 kPa)
Working Pressure:	Maximum 75% of full scale value
Ambient/Process Temp:	-40°F to 150°F (-40°C to 65°C)
Accuracy:	+/-0.5% accuracy (ANSI/ASME Grade 2A)
Protection:	IP54



Corporate Office: 121 Railside Road • Toronto • ON • M3A 1B2 • (416) 444-2345 • Fax: (416) 444-8979

U.S.A. Office: 600 Ensminger Road • Buffalo • NY • 14150 • (716) 874-8700 • Fax: (716) 874-8800

www.winters.com • 1-800-WINTERS (946-8377)

300 Series

PRODUCT CODES

How to order: Specify product code

Dial Size Connection Tube, Socket, Movement	4 1/2" (115mm)		4 1/2" (115mm)		6" (150mm)		6" (150mm)	
	Bottom	Back (LB)	Bottom	Back (LB)	Bottom	Back (LB)	Bottom	Back (LB)
	Brass	Brass	Stainless Steel	Stainless Steel	Brass	Brass	Stainless Steel	Stainless Steel
30" Hg. vacuum/kPa	P6000	P6000B	P6025	P6025B	P6075	P6075B	P6260	P6260B
30"/0/15 psi/kPa	P6001	P6001B	P6026	P6026B	P6076	P6076B	P6261	P6261B
30"/0/30 psi/kPa	P6002	P6002B	P6027	P6027B	P6077	P6077B	P6162	P6162B
30"/0/60 psi/kPa	P6003	P6003B	P6028	P6028B	P6078	P6078B	P6163	P6163B
30"/0/100 psi/kPa	P6004	P6004B	P6029	P6029B	P6079	P6079B	P6164	P6164B
30"/0/160 psi/kPa	P6005	P6005B	P6030	P6030B	P6080	P6080B	P6265	P6265B
30"/0/200 psi/kPa	P6006	P6006B	P6031	P6031B	P6081	P6081B	P6266	P6266B
30"/0/300 psi/kPa	P6007	P6007B	P6032	P6032B	P6082	P6082B	P6267	P6267B
0 - 15 psi/kPa	P6008	P6008B	P6033	P6033B	P6083	P6083B	P6098	P6098B
0 - 30 psi/kPa	P6009	P6009B	P6034	P6034B	P6084	P6084B	P6099	P6099B
0 - 60 psi/kPa	P6010	P6010B	P6035	P6035B	P6085	P6085B	P6100	P6100B
0 - 100 psi/kPa	P6011	P6011B	P6036	P6036B	P6086	P6086B	P6101	P6101B
0 - 160 psi/kPa	P6012	P6012B	P6037	P6037B	P6087	P6087B	P6102	P6102B
0 - 200 psi/kPa	P6013	P6013B	P6038	P6038B	P6088	P6088B	P6103	P6103B
0 - 300 psi/kPa	P6014	P6014B	P6039	P6039B	P6089	P6089B	P6104	P6104B
0 - 400 psi/kPa	P6015	P6015B	P6040	P6040B	P6090	P6090B	P6105	P6105B
0 - 600 psi/kPa	P6016	P6016B	P6041	P6041B	P6091	P6091B	P6106	P6106B
0 - 1000 psi/kPa	P6017	P6017B	P6042	P6042B	P6092	P6092B	P6107	P6107B
0 - 1500 psi/kPa	P6018	P6018B	P6043	P6043B	P6093	P6093B	P6108	P6108B
0 - 2000 psi/kPa	P6019	P6019B	P6044	P6044B	P6094	P6094B	P6109	P6109B
0 - 3000 psi/kPa	P6020	P6020B	P6045	P6045B	P6095	P6095B	P6110	P6110B
0 - 5000 psi/kPa	P6021	P6021B	P6046	P6046B	P6096	P6096B	P6111	P6111B
0 - 10000 psi/kPa	P6022	P6022B	P6047	P6047B	P6170	P6170B	P6180	P6180B
0 - 15000 psi/kPa	P6023	P6023B	P6160	P6160B	P6171	P6171B	P6181	P6181B
0 - 20000 psi/kPa	P6024	P6024B	P6161	P6161B	P6172	P6172B	P6182	P6182B

Dial Size Connection Tube, Socket, Movement	8 1/2" (200mm)		8 1/2" (200mm)		10" (250mm)		10" (250mm)	
	Bottom	Back (LB)	Bottom	Back (LB)	Bottom	Back (LB)	Bottom	Back (LB)
	Brass	Brass	Stainless Steel	Stainless Steel	Brass	Brass	Stainless Steel	Stainless Steel
30" Hg. vacuum/kPa	P6200	P6200B	P6300	P6300B	P6400	P6400B	P6500	P6500B
30"/0/15 psi/kPa	P6201	P6201B	P6301	P6301B	P6401	P6401B	P6501	P6501B
30"/0/30 psi/kPa	P6202	P6202B	P6302	P6302B	P6402	P6402B	P6502	P6502B
30"/0/60 psi/kPa	P6203	P6203B	P6303	P6303B	P6403	P6403B	P6503	P6503B
30"/0/100 psi/kPa	P6204	P6204B	P6304	P6304B	P6404	P6404B	P6504	P6504B
30"/0/160 psi/kPa	P6205	P6205B	P6305	P6305B	P6405	P6405B	P6505	P6505B
30"/0/200 psi/kPa	P6206	P6206B	P6306	P6306B	P6406	P6406B	P6506	P6506B
30"/0/300 psi/kPa	P6207	P6207B	P6307	P6307B	P6407	P6407B	P6507	P6507B
0 - 15 psi/kPa	P6208	P6208B	P6308	P6308B	P6408	P6408B	P6508	P6508B
0 - 30 psi/kPa	P6209	P6209B	P6309	P6309B	P6409	P6409B	P6509	P6509B
0 - 60 psi/kPa	P6210	P6210B	P6310	P6310B	P6410	P6410B	P6510	P6510B
0 - 100 psi/kPa	P6211	P6211B	P6311	P6311B	P6411	P6411B	P6511	P6511B
0 - 160 psi/kPa	P6212	P6212B	P6312	P6312B	P6412	P6412B	P6512	P6512B
0 - 200 psi/kPa	P6213	P6213B	P6313	P6313B	P6413	P6413B	P6513	P6513B
0 - 300 psi/kPa	P6214	P6214B	P6314	P6314B	P6414	P6414B	P6514	P6514B
0 - 400 psi/kPa	P6215	P6215B	P6315	P6315B	P6415	P6415B	P6515	P6515B
0 - 600 psi/kPa	P6216	P6216B	P6316	P6316B	P6416	P6416B	P6516	P6516B
0 - 1000 psi/kPa	P6217	P6217B	P6317	P6317B	P6417	P6417B	P6517	P6517B
0 - 1500 psi/kPa	P6218	P6218B	P6318	P6318B	P6418	P6418B	P6518	P6518B
0 - 2000 psi/kPa	P6219	P6219B	P6319	P6319B	P6419	P6419B	P6519	P6519B
0 - 3000 psi/kPa	P6220	P6220B	P6320	P6320B	P6420	P6420B	P6520	P6520B
0 - 5000 psi/kPa	P6221	P6221B	P6321	P6321B	P6421	P6421B	P6521	P6521B
0 - 10000 psi/kPa	P6222	P6222B	P6322	P6322B	P6422	P6422B	P6522	P6522B
0 - 15000 psi/kPa	P6223	P6223B	P6323	P6323B	P6423	P6423B	P6523	P6523B
0 - 20000 psi/kPa	P6224	P6224B	P6324	P6324B	P6424	P6424B	P6524	P6524B

NOTE: Front flange is standard on all back connected models. Front flange is standard on 10" back connected models.

• (8 1/2" Model standard with U-clamp) (LB) - Lower back connection

Other Options:

- If back flange required add "300BF" to product code.
- SG = Safety glass lens.
- Other ranges available upon request.
- MS = Monel socket and tube.
- SFC = Solid front safety case.
- Over and understops available.
- (* Syphon recommended for steam applications)
- Over and understops available.
- 45HC = 4.5" Hinged Case
- 6HC = 6" Hinged Case
- MAXI = Maximum adjustable pointer.



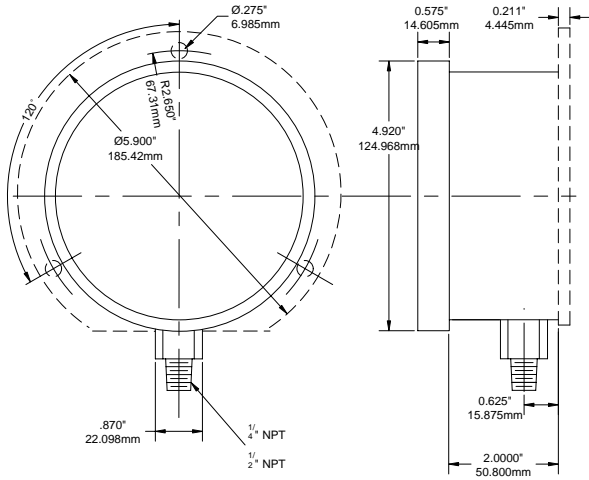
Corporate Office: 121 Railside Road • Toronto • ON • M3A 1B2 • (416) 444-2345 • Fax: (416) 444-8979

U.S.A. Office: 600 Ensminger Road • Buffalo • NY • 14150 • (716) 874-8700 • Fax: (716) 874-8800

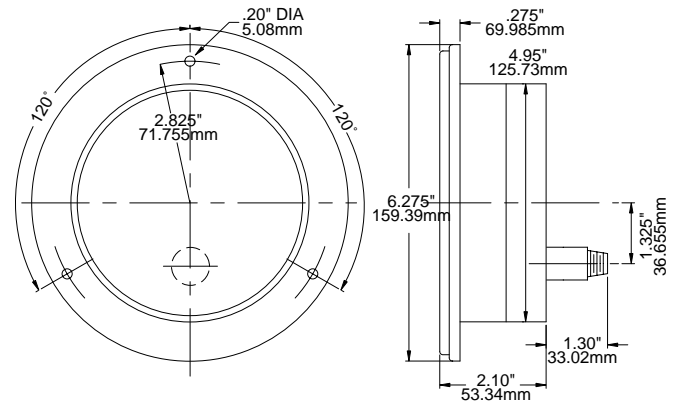
www.winters.com • 1-800-WINTERS (946-8377)

300 Series

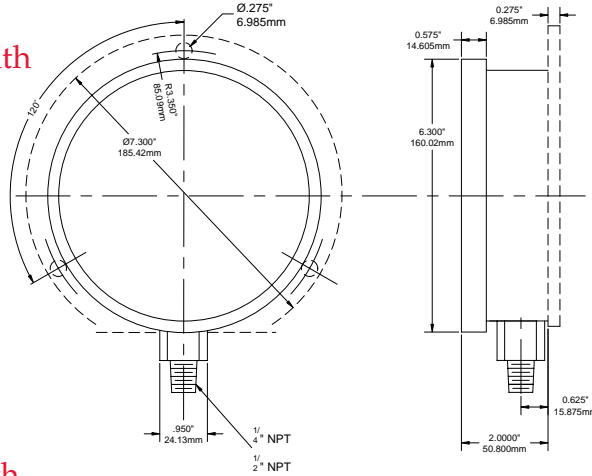
4.5" Bottom Connection with Back Flange Option



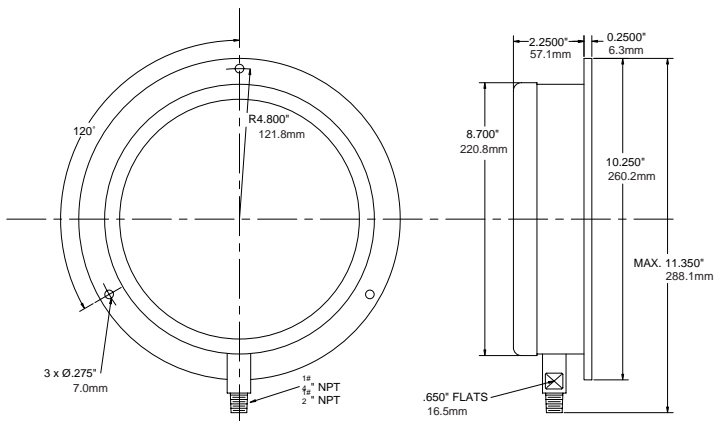
4.5" Back Connection with Front Flange Option



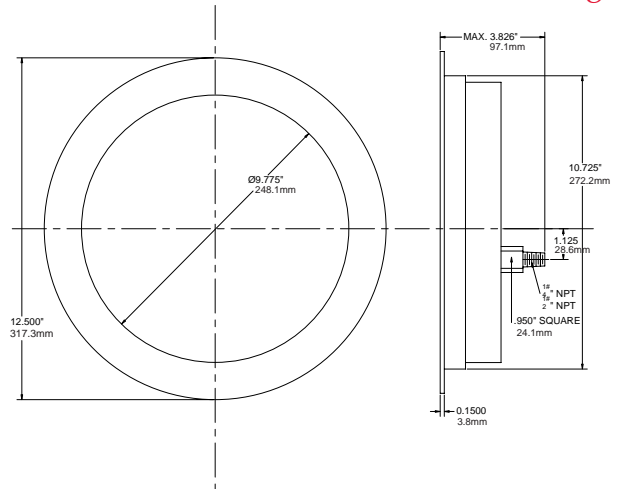
6" Bottom Connection with Back Flange Option



8.5" Bottom Connection with Standard Back Flange



10" Back Connection with Standard Back Flange



Corporate Office: 121 Railside Road • Toronto • ON • M3A 1B2 • (416) 444-2345 • Fax: (416) 444-8979

U.S.A. Office: 600 Ensminger Road • Buffalo • NY • 14150 • (716) 874-8700 • Fax: (716) 874-8800

www.winters.com • 1-800-WINTERS (946-8377)