

## Special Application Gauges

# P-733 and P-734

## Low Pressure Diaphragm Gauges

### DESCRIPTION P-733

These high quality diaphragm gauges feature rugged construction with high sensitivity. They are ideally suited and designed for pressure measurements below 15 psi.



### SPECIFICATIONS P-733

SIZE: 2-1/2"  
 RANGES:  
 0 to 15, 35, 60, 100, 200, in H<sub>2</sub>O  
 0 to 20, 32, 36 oz  
 0 to 5, 10 psi  
 Dual Scale: 0 to 20 oz./35 in H<sub>2</sub>O  
 ACCURACY: ±3-2-3% of span  
 CASE: Steel, black corrosion-resistant paint  
 DIAL: Steel, white background with black markings  
 POINTER: Aluminum, black finish with adjustment feature  
 WINDOW: One-piece threaded acrylic  
 MOVEMENT: Brass  
 DIAPHRAGM CAPSULE: Copper alloy  
 CONNECTION: Brass 1/4-18 center-back male (CBM)

### DESCRIPTION P-734

These gauges feature a highly sensitive diaphragm for extremely low positive or negative pressure applications. Gauges are housed in a rugged steel case with screw-in, acrylic window. The low mount connection is 1/4-18 NPT, brass.



### SPECIFICATIONS P-734

SIZE: 2-1/2"  
 RANGES:  
 0 to 15, 35, 60, 100, 200, in H<sub>2</sub>O  
 0 to 20, 32, 36 oz  
 0 to 5, 10 psi  
 Dual Scale: 0 to 20 oz./35 in H<sub>2</sub>O  
 ACCURACY: ±3-2-3% of span  
 CASE: Steel, black corrosion-resistant paint  
 DIAL: Steel, white background with black markings  
 POINTER: Aluminum, black finish with adjustment feature  
 WINDOW: One-piece threaded acrylic  
 MOVEMENT: Brass  
 DIAPHRAGM CAPSULE: Copper alloy  
 CONNECTION: Brass 1/4-18 low male (LM)



## Special Application Gauges

# P-733 and P-734

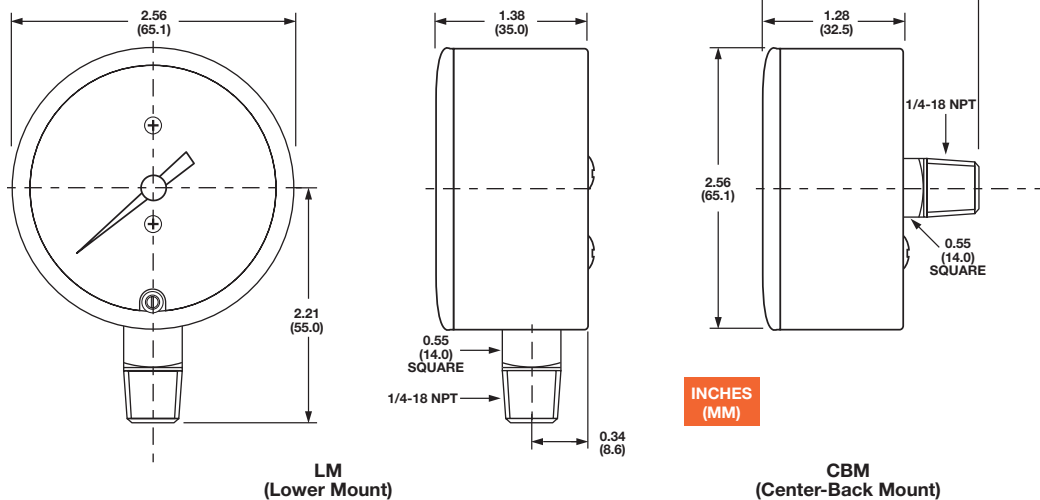
## Low Pressure Diaphragm Gauges

### SPEC NUMBER SELECTION CHART

#### Diaphragm Actuated Gauges, 2-1/2"

Model Number P-733 Center Back Connection	Range	1/4-18 NPT LM Spec No.
	15" H <sub>2</sub> O	172284A
	35" H <sub>2</sub> O	172285A
	60" H <sub>2</sub> O	172286A
	100" H <sub>2</sub> O	172287A
	200" H <sub>2</sub> O	172288A
	20 oz.	172289A
	32 oz.	172290A
	36 oz.	172291A </td
	5 psi	172292A
	10 psi	172293A
	20 oz. / 35"	172294A

Model Number P-734 Low Mount Connection	Range	1/4-18 NPT LM Spec No.
	15" H <sub>2</sub> O	161963A
	35" H <sub>2</sub> O	161964A
	60" H <sub>2</sub> O	162787A
	100" H <sub>2</sub> O	161965A
	200" H <sub>2</sub> O	161966A
	20 oz.	161967A
	32 oz.	161968A
	36 oz.	161969A
	5 psi	161970A
	10 psi	161971A
	20 oz. / 35"	161972A



#### U.S. GAUGE

820 Pennsylvania Blvd., Feasterville, PA 19053 U.S.A.  
Tel: (215) 355-6900 • Fax: (215) 354-1802

[www.ametekusg.com](http://www.ametekusg.com)

Customer Service Tel: (863) 534-1504 • Customer Service Fax: (863) 533-7465

Specifications are subject to change without notice. Visit our Web sites for the most up-to-date information.  
© 2005, by AMETEK, Inc. All rights reserved. 405PDF (160146)

