



Process Gauges

SOLFRUNT® 659 Stainless Steel Pressure Gauges

New!

DESCRIPTION

When safety is your top priority, AMETEK U.S. Gauge offers the new Model 659 Series SOLFRUNT Gauges. The Model 659 provides users with a solid-front and pressure-relieving back design in all stainless steel construction. These gauges are available in both 63 and 100 mm sizes, in panel mount and low mount configurations. The liquid fill minimizes the effect of these severe environments, protects the gauge internals, and provides continuous lubrication on the mechanism, all adding up to extended service life. Liquid filling also provides greater protection of the gauge internals from corrosive atmospheres.



The Model 659 SOLFRUNT is ideal for applications in chemical and petrochemical processing, offshore equipment, exploration, petroleum storage, and many other demanding applications.

The 659 is available dry or liquid-filled with glycerin, mineral oil, or silicone DC-200. Consult your local distributor or U.S. Gauge for availability.

SPECIFICATIONS

ACCURACY

Model 6592 (63 mm): $\pm 1.6\%$ of full scale (Grade B)
Model 6596 (100 mm): $\pm 1.0\%$ of full scale (Grade 1A)

PRESSURE RANGE

63 mm: 30 inch Hg to 0 psi through 0 to 10,000 psi
100 mm: 30 inch Hg to 0 psi through 0 to 23,000 psi

Please refer to Pressure Ranges Table on page [A19](#) for specific information

WORKING PRESSURE

Steady: 50% of full scale
Over Range Protection: 125% of full scale

WORKING TEMPERATURE

Ambient: -40°F to 140°F (-40°C to 60°C)
Fluid: -4°F to 176°F (-20°C to 80°C)

FILLING LIQUID: Glycerin, silicone, mineral oil

PRESSURE CONNECTION: 316L stainless steel

BOURDON TUBE: 316L stainless steel

Model 6592 (63 mm): Less than or equal to 800 psi: C type Bourdon tube greater than or equal to 1000 psi: Helical type Bourdon tube

Model 6596 (100 mm): Less than or equal to 1000 psi: C type Bourdon tube greater than or equal to 1500 psi: Helical type Bourdon tube

CASE PRESSURE RELIEF: Safety back

CASE AND BEZEL RING: 304 stainless steel; bayonet type

MOVEMENT: 304 stainless steel

WINDOW

63 mm: Polycarbonate (laminated shatter-resistant glass window optional)
100 mm: Laminated shatter-resistant glass window

DIAL: White aluminum with black lettering

POINTER: Aluminum alloy, black painted

PROCESS CONNECTION: See ordering information page [A22](#)

SOLFRUNT 659 Series Liquid Fillable Pressure Gauges

WARNING:

Fill fluids can combine with strong oxidizing agents, including (but not limited to) chlorine, nitric acid, and hydrogen peroxide and result in an explosion which can cause property damage and personal injury. If gauges are to be used in such service, consult factory for other alternatives.

In order to correctly use these gauges, it is recommended that users of pressure gauges become familiar with American National Standard ASME B40.100-1998 entitled "Pressure Gauges and Gauge Attachments." This specification is available from the American Society of Mechanical Engineers, United Engineering Center, 345 East 47th Street, New York, NY 10017

© 2002, by AMETEK, Inc. All rights reserved. 15M1102A (160126) Specifications are subject to change without notice. Visit our Web sites for the most up-to-date information.



For Gauges/Thermometers:
U.S. GAUGE
820 Pennsylvania Blvd.
Feasterville, PA 19053 U.S.A.
Tel: (215) 355-6900
Fax: (215) 354-1802
www.ametekusg.com

Customer Service Tel: (863) 534-1504
Customer Service Fax: (863) 533-7465

For Electronic Products:
PMT PRODUCTS
820 Pennsylvania Blvd.
Feasterville, PA 19053 U.S.A.
Tel: (215) 355-6900
Fax: (215) 354-1800
www.ametekusg.com

For Diaphragm Seals:
M&G PRODUCTS
8600 Somerset Drive
Largo, FL 33773 U.S.A.
Tel: (727) 536-7831
Fax: (727) 539-6882
www.ametek.com/tci

ISO 9001 REGISTERED MANUFACTURER

Process Gauges

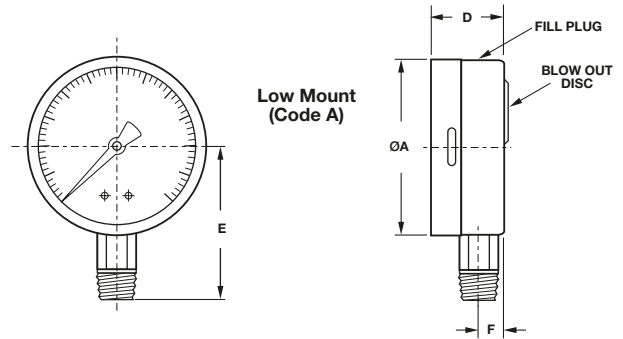
SOLFRUNT® 659 Stainless Steel Pressure Gauges

PRESSURE RANGES

RANGE CODE** See Page A22	psi
01	30 in. Hg-0
30	30 in. Hg-0-15
31	30 in. Hg-0-30
32	30 in. Hg-0-60
33	30 in. Hg-0-100
34	30 in. Hg-0-150
35	30 in. Hg-0-200
07	0-15
37	0-30
10	0-60
38	0-100
39	0-160
40	0-200
41	0-300
42	0-400
15	0-600
44	0-1000
17	0-1500
45	0-2000
46	0-3000
48	0-5000
50	0-10,000
22	0-15,000
23*	0-23,000

* Not available in 63 mm

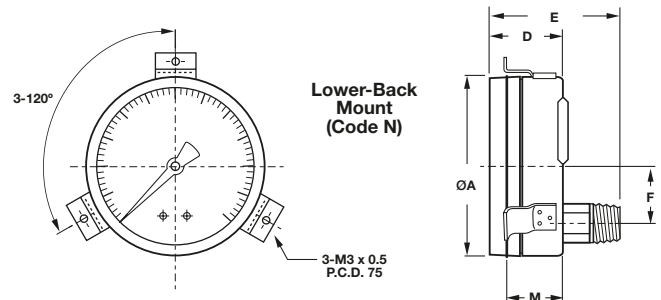
** Metric and dual scale dials are available. Please call Customer Service at (863) 534-1504 for more information.



INCHES (MM)

63 and 100 mm Pressure Gauges

DIAL SIZE	MOUNTING CODE	UNIT	A	D	E	F	M
63 mm	A	inches	1.54	1.54	2.20	.68	-
	A	mm	63.7	39.0	55.8	17.2	-
	N	inches	1.54	1.54	2.56	.66	1.39
	N	mm	63.7	39.0	65.0	16.7	34.0
100 mm	A	inches	3.99	2.32	3.27	1.0	-
	A	mm	101.3	59.0	83.0	25.5	-
	N	inches	3.99	2.32	3.68	1.14	1.89
	N	mm	101.3	59.0	93.5	29.0	48.0



© 2002, by AMETEK, Inc. All rights reserved. 15M1102A (160126) Specifications are subject to change without notice. Visit our Web sites for the most up-to-date information.



For Gauges/Thermometers:
U.S. GAUGE
 820 Pennsylvania Blvd.
 Feasterville, PA 19053 U.S.A.
 Tel: (215) 355-6900
 Fax: (215) 354-1802
 www.ametekusg.com

Customer Service Tel: (863) 534-1504
 Customer Service Fax: (863) 533-7465

For Electronic Products:
PMT PRODUCTS
 820 Pennsylvania Blvd.
 Feasterville, PA 19053 U.S.A.
 Tel: (215) 355-6900
 Fax: (215) 354-1800
 www.ametekusg.com

For Diaphragm Seals:
M&G PRODUCTS
 8600 Somerset Drive
 Largo, FL 33773 U.S.A.
 Tel: (727) 536-7831
 Fax: (727) 539-6882
 www.ametek.com/tci





Process Gauges

SOLFRUNT® 659 Stainless Steel Pressure Gauges

SPEC NUMBER SELECTION CHART

Model 659 (63 mm)	STEM MOUNTING 1/4-18 NPT		FRONT FLANGE PANEL MOUNTING 1/4-18 NPT	
Model Number	6592 Low Mount		6592 Lower-Back Mount	
Bourdon Tube	316L Stainless Steel		316L Stainless Steel	
Connection	316L Stainless Steel		316L Stainless Steel	
Range*	Spec No.	Part No.	Spec No.	Part No.
0-30" Hg VAC	259000	659201AA4CD3A00	259025	659201AN4CD3A00
30"- 0-15 psi	259001	659230AA4CD3A00	259026	659230AN4CD3A00
30"- 0-30 psi	259002	659231AA4CD3A00	259027	659231AN4CD3A00
30"- 0-60 psi	259003	659232AA4CD3A00	259028	659232AN4CD3A00
30"- 0-100 psi	259004	659233AA4CD3A00	259029	659233AN4CD3A00
30"- 0-150 psi	259005	659234AA4CD3A00	259030	659234AN4CD3A00
30"- 0-200 psi	259006	659206AA4CD3A00	259031	659206AN4CD3A00
0-15 psi	259007	659207AA4CD3A00	259032	659207AN4CD3A00
0-30 psi	259008	659237AA4CD3A00	259033	659237AN4CD3A00
0-60 psi	259009	659210AA4CD3A00	259034	659210AN4CD3A00
0-100 psi	259010	659238AA4CD3A00	259035	659238AN4CD3A00
0-160 psi	259011	659239AA4CD3A00	259036	659239AN4CD3A00
0-200 psi	259012	659240AA4CD3A00	259037	659240AN4CD3A00
0-300 psi	259013	659241AA4CD3A00	259038	659241AN4CD3A00
0-400 psi	259014	659242AA4CD3A00	259039	659242AN4CD3A00
0-600 psi	259015	659215AA4CD3A00	259040	659215AN4CD3A00
0-1000 psi	259016	659244AA4CD3A00	259041	659244AN4CD3A00
0-1500 psi	259017	659217AA4CD3A00	259042	659217AN4CD3A00
0-2000 psi	259018	659245AA4CD3A00	259043	659245AN4CD3A00
0-3000 psi	259019	659246AA4CD3A00	259044	659246AN4CD3A00
0-4000 psi	259020	659247AA4CD3A00	259045	659247AN4CD3A00
0-5000 psi	259021	659248AA4CD3A00	259046	659248AN4CD3A00
0-6000 psi	259022	659249AA4CD3A00	259047	659249AN4CD3A00
0-10,000 psi	259023	659250AA4CD3A00	259048	659250AN4CD3A00
0-15,000 psi	259024	659252AA4CD3A00	259049	659252AN4CD3A00

* Metric and dual scale dials are available. Please call Customer Service at (863) 534-1504 for more information.

© 2002, by AMETEK, Inc. All rights reserved. 15M1102A (160126) Specifications are subject to change without notice. Visit our Web sites for the most up-to-date information.



For Gauges/Thermometers:
U.S. GAUGE
 820 Pennsylvania Blvd.
 Feasterville, PA 19053 U.S.A.
 Tel: (215) 355-6900
 Fax: (215) 354-1802
 www.ametekusg.com

Customer Service Tel: (863) 534-1504
 Customer Service Fax: (863) 533-7465

For Electronic Products:
PMT PRODUCTS
 820 Pennsylvania Blvd.
 Feasterville, PA 19053 U.S.A.
 Tel: (215) 355-6900
 Fax: (215) 354-1800
 www.ametekusg.com

For Diaphragm Seals:
M&G PRODUCTS
 8600 Somerset Drive
 Largo, FL 33773 U.S.A.
 Tel: (727) 536-7831
 Fax: (727) 539-6882
 www.ametek.com/tci





Process Gauges

SOLFRUNT® 659 Stainless Steel Pressure Gauges

SPEC NUMBER SELECTION CHART

Model 659 (100 mm)	STEM MOUNTING				FRONT FLANGE PANEL MOUNTING	
Model Number	6596 Low Mount, 1/4-18 NPT		6596 Low Mount, 1/2-14 NPT		6596 Lower-Back Mount, 1/4-18 NPT	
Bourdon Tube	316L Stainless Steel		316L Stainless Steel		316L Stainless Steel	
Connection	316L Stainless Steel		316L Stainless Steel		316L Stainless Steel	
Range*	Spec No.	Part No.	Spec No.	Part No.	Spec No.	Part No.
0 - 30" Hg VAC	359000	659601AA3CD3A00	359024	659601AA3ED3A00	359048	659601AN3CD3A00
30" - 0 - 15 psi	359001	659630AA3CD3A00	359025	659630AA3ED3A00	359049	659630AN3CD3A00
30" - 0 - 30 psi	359002	659631AA3CD3A00	359026	659631AA3ED3A00	359050	659631AN3CD3A00
30" - 0 - 60 psi	359003	659632AA3CD3A00	359027	659632AA3ED3A00	359051	659632AN3CD3A00
30" - 0 - 100 psi	359004	659633AA3CD3A00	359028	659633AA3ED3A00	359052	659633AN3CD3A00
30" - 0 - 150 psi	359005	659634AA3CD3A00	359029	659634AA3ED3A00	359053	659634AN3CD3A00
30" - 0 - 200 psi	359006	659606AA3CD3A00	359030	659606AA3ED3A00	359054	659606AN3CD3A00
0 - 15 psi	359007	659607AA3CD3A00	359031	659607AA3ED3A00	359055	659607AN3CD3A00
0 - 30 psi	359008	659637AA3CD3A00	359032	659637AA3ED3A00	359056	659637AN3CD3A00
0 - 60 psi	359009	659610AA3CD3A00	359033	659610AA3ED3A00	359057	659610AN3CD3A00
0 - 100 psi	359010	659638AA3CD3A00	359034	659638AA3ED3A00	359058	659638AN3CD3A00
0 - 160 psi	359011	659639AA3CD3A00	359035	659639AA3ED3A00	359059	659639AN3CD3A00
0 - 200 psi	359012	659640AA3CD3A00	359036	659640AA3ED3A00	359060	659640AN3CD3A00
0 - 300 psi	359013	659641AA3CD3A00	359037	659641AA3ED3A00	359061	659641AN3CD3A00
0 - 400 psi	359014	659642AA3CD3A00	359038	659642AA3ED3A00	359062	659642AN3CD3A00
0 - 600 psi	359015	659615AA3CD3A00	359039	659615AA3ED3A00	359063	659615AN3CD3A00
0 - 1000 psi	359016	659644AA3CD3A00	359040	659644AA3ED3A00	359064	659644AN3CD3A00
0 - 1500 psi	359017	659617AA3CD3A00	359041	659617AA3ED3A00	359065	659617AN3CD3A00
0 - 2000 psi	359018	659645AA3CD3A00	359042	659645AA3ED3A00	359066	659645AN3CD3A00
0 - 3000 psi	359019	659646AA3CD3A00	359043	659646AA3ED3A00	359067	659646AN3CD3A00
0 - 5000 psi	359020	659649AA3CD3A00	359044	659649AA3ED3A00	359068	659649AN3CD3A00
0 - 10,000 psi	359021	659650AA3CD3A00	359045	659650AA3ED3A00	359069	659650AN3CD3A00
0 - 15,000 psi	359022	659622AA3CD3A00	359046	659622AA3ED3A00	359070	659622AN3CD3A00
0 - 23,000 psi	359023	659623AA3CD3A00	359047	659623AA3ED3A00	359071	659623AN3CD3A00

* Metric and dual scale dials are available. Please call Customer Service at (863) 534-1504 for more information.

© 2002, by AMETEK, Inc. All rights reserved. 15M1102A (160126) Specifications are subject to change without notice. Visit our Web sites for the most up-to-date information.



For Gauges/Thermometers:
U.S. GAUGE
 820 Pennsylvania Blvd.
 Feasterville, PA 19053 U.S.A.
 Tel: (215) 355-6900
 Fax: (215) 354-1802
 www.ametekusg.com

Customer Service Tel: (863) 534-1504
 Customer Service Fax: (863) 533-7465

For Electronic Products:
PMT PRODUCTS
 820 Pennsylvania Blvd.
 Feasterville, PA 19053 U.S.A.
 Tel: (215) 355-6900
 Fax: (215) 354-1800
 www.ametekusg.com

For Diaphragm Seals:
M&G PRODUCTS
 8600 Somerset Drive
 Largo, FL 33773 U.S.A.
 Tel: (727) 536-7831
 Fax: (727) 539-6882
 www.ametek.com/tci





Process Gauges

SOLFRUNT® 659 Stainless Steel Pressure Gauges**ORDERING INFORMATION**

Model 659

NOMINAL DIAMETER _____	-6
2 = 63 mm	
6 = 100 mm	
RANGE (Refer to Pressure Range Table on page A19) _____	-44
UNITS OF MEASURE _____	-A
A = psi	
B = psi/bar	
C = psi/kPa	
D = bar	
E = kPa	
F = kg/cm ²	
G = psi/kgcm ²	
H = MPa	
MOUNTING TYPE (Refer to Mounting Type and Dimension) _____	-A
A = Low mount	
N = Lower-back mount, front flange	
ACCURACY _____	-3
3 = 1.0 (100 mm)	
4 = 1.6 (63 mm)	
CONNECTION _____	-E
C = 1/4 inch (63 mm)	
E = 1/2 inch (100 mm)	
CONNECTION TYPE _____	-D
D = NPT	
(Contact factory for other connections)	
PRESSURE CONNECTION MATERIAL AND BOURDON TUBE _____	-3
3 = 316L stainless steel	
FILL FLUID _____	-A
A = No fill	
G = Glycerine	
M = Mineral oil	
S = Silicone DC-200	
OPTIONS* _____	-00
00 = No options	
CL = Oxygen cleaned	
SR = Shatter resistant glass window (63 mm only)	

* For additional options and codes, please contact your nearest AMETEK USG Stocking Distributor or our Customer Service Department at (215) 355-6900 or (863) 534-1504

Example Shown Above:
659-6-44-A-A-3-E-D-3-A-00

Model 659, 100 mm diameter, 0-1000 psi scale, low mount, 1.0% accuracy, 1/2 inch connection, NPT type connection, 316L stainless steel, with no fill, no options

© 2002, by AMETEK, Inc. All rights reserved. 15M1102A (160126) Specifications are subject to change without notice. Visit our Web sites for the most up-to-date information.

AMETEK®

ISO 9001 REGISTERED MANUFACTURER

For Gauges/Thermometers:

U.S. GAUGE
 820 Pennsylvania Blvd.
 Feasterville, PA 19053 U.S.A.
 Tel: (215) 355-6900
 Fax: (215) 354-1802
 www.ametekusg.com

Customer Service Tel: (863) 534-1504
 Customer Service Fax: (863) 533-7465

For Electronic Products:

PMT PRODUCTS
 820 Pennsylvania Blvd.
 Feasterville, PA 19053 U.S.A.
 Tel: (215) 355-6900
 Fax: (215) 354-1800
 www.ametekusg.com

For Diaphragm Seals:

M&G PRODUCTS
 8600 Somerset Drive
 Largo, FL 33773 U.S.A.
 Tel: (727) 536-7831
 Fax: (727) 539-6882
 www.ametek.com/tci