

Liquid Filled Gauges

Series 1550 (4") Liquid Filled Gauges

DESCRIPTION

Series 1550 liquid filled gauges combine low cost and high accuracy with a rugged stainless steel case and brass internals for corrosive and high vibration environments. Typical applications include: pumps, compressors, HVAC, petrochemical processing, and power generation.

Series 1550 gauges are available in stem (Model 1555) or panel mount (Model 1558) configurations with brass socket; phosphor bronze Bourdon tubes are supplied to meet specific customer requirements.

Series 1550 gauges come in 18 vacuum, compound, and gauge pressure ranges (see specifications). Glycerin is standard fill fluid, with silicone or mineral oil available on request. Dry (unfilled) gauges can also be supplied, off-the-shelf, by your local stocking U.S. Gauge distributor.



SPECIFICATIONS

- DIAL SIZE: 4"
- CASE AND RING:
For Stem Mounting:
300 Series stainless steel, solid back case with stainless steel crimped ring. BUNA-N® multi-function plug with removable nipple for venting, pressure relief, and liquid fill access
- For Panel Mount Units:
Incorporate 3-hole stainless steel front mounting flange (Model 1558)
- WINDOW: Polycarbonate, sealed to case with a polychloroprene gasket
- DIAL: White aluminum with black markings
- POINTER: Black aluminum
- MOVEMENT: Brass
- BOURDON TUBE: Phosphor bronze
- SOCKET CONNECTION: Brass
- RESTRICTOR: Brass, push type .015"
- RANGES: Vacuum 30"-0 Hg VAC (counterclockwise rotation with increasing vacuum)
- Compound: 30" Hg VAC 0, 15, 30, 60, 100 psi
- Gauge: 0-15, 30, 60, 100, 160, 200, 300, 600, 1000, 1500, 2000, 3000, 6000 psi
- ACCURACY: ±1.6% FS
- LIQUID FILL: Glycerin is standard but silicone and mineral oil are available. Dry (unfilled) gauges are available as off-the-shelf stock through local distributors

MODEL SELECTION CHART

MODEL NUMBER	MOUNTING	CONNECTION	SOCKET	BOURDON TUBE	CASE	RING
1555	Stem	1/4" NPT LM	Brass	Phosphor Bronze	Stainless Steel	SST Crimped
1558	Front Flanged Panel	1/4" NPT CBM	Brass	Phosphor Bronze	Stainless Steel	SST Crimped

© 2004, by AMETEK, Inc. All rights reserved. 504PDF (160126) Specifications are subject to change without notice. Visit our Web sites for the most up-to-date information.



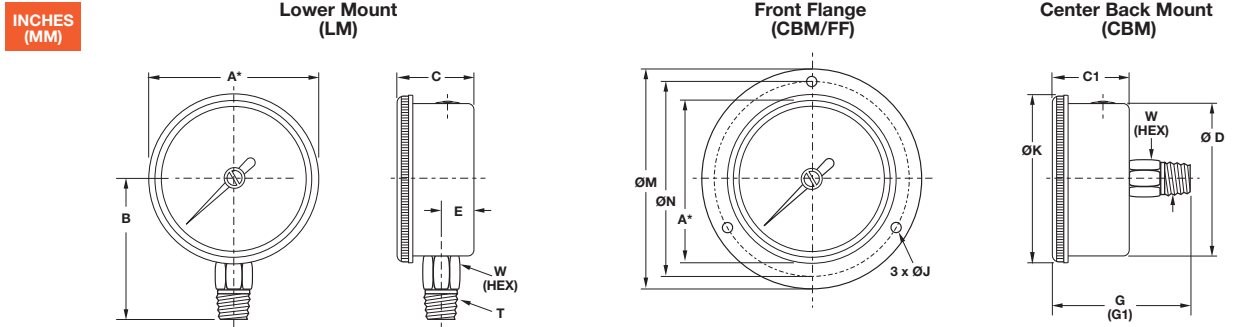
For Gauges/Thermometers:
U.S. GAUGE
 820 Pennsylvania Blvd.
 Feasterville, PA 19053 U.S.A.
 Tel: (215) 355-6900
 Fax: (215) 354-1802
 www.ametekusg.com
 Customer Service Tel: (863) 534-1504
 Customer Service Fax: (863) 533-7465





Liquid Filled Gauges

Series 1550 (4") Liquid Filled Gauges



DIAL SIZE	I	H	A*	B	C	C1	D	E	G	G1	K	J	N	M	T	W	
4"	inches mm	3.35 85.0	0.85 21.5	3.54 89.8	2.89 73.5	1.26 32.0	1.33 33.7	3.89 98.7	0.41 10.4	2.35 59.7	(2.67) (67.7)	4.12 104.7	0.24 6.0	4.65 118.0	5.1 129.6	1/4 -	.55 14

SPEC NUMBER SELECTION CHART

Series 1550 (4")	STEM MOUNTING 1/4-18 ANPT LM CONNECTION	FRONT FLANGE PANEL MOUNTING 1/4-18 ANPT CBM CONNECTION
Bourdon Tube	Phosphor Bronze	Phosphor Bronze
Connection	Brass	Brass
Model Number	1555L	1558FF
Range	Spec No.	Spec No.
0-30" Hg VAC	171967A	171985A
30"-0-15 psi	171968A	171986A
30"-0-30 psi	171969A	171987A
30"-0-60 psi	171970A	171988A
30"-0-100 psi	171971A	171989A
0-15 psi	171972A	171990A
0-30 psi	171973A	171991A
0-60 psi	171974A	171992A
0-100 psi	171975A	171993A
0-160 psi	171976A	171994A
0-200 psi	171977A	171995A
0-300 psi	171978A	171996A
0-600 psi	171979A	171997A
0-1000 psi	171980A	171998A
0-1500 psi	171981A	171999A
0-2000 psi	171982A	172000A
0-3000 psi	171983A	172001A
0-6000 psi	171984A	172002A

All gauges are stocked dry at our worldwide distribution center in Bartow, Florida

For factory liquid filling please add the following letters after the spec number when ordering:

- LG - for liquid-filled with glycerin
- LS - for liquid-filled with silicone
- LM - for liquid-filled with mineral oil

© 2004, by AMETEK, Inc. All rights reserved. 504PDF (160126) Specifications are subject to change without notice. Visit our Web sites for the most up-to-date information.



For Gauges/Thermometers:

U.S. GAUGE
 820 Pennsylvania Blvd.
 Feasterville, PA 19053 U.S.A.
 Tel: (215) 355-6900
 Fax: (215) 354-1802
 www.ametekusg.com

Customer Service Tel: (863) 534-1504
 Customer Service Fax: (863) 533-7465

